

3.UMA - TWEETER

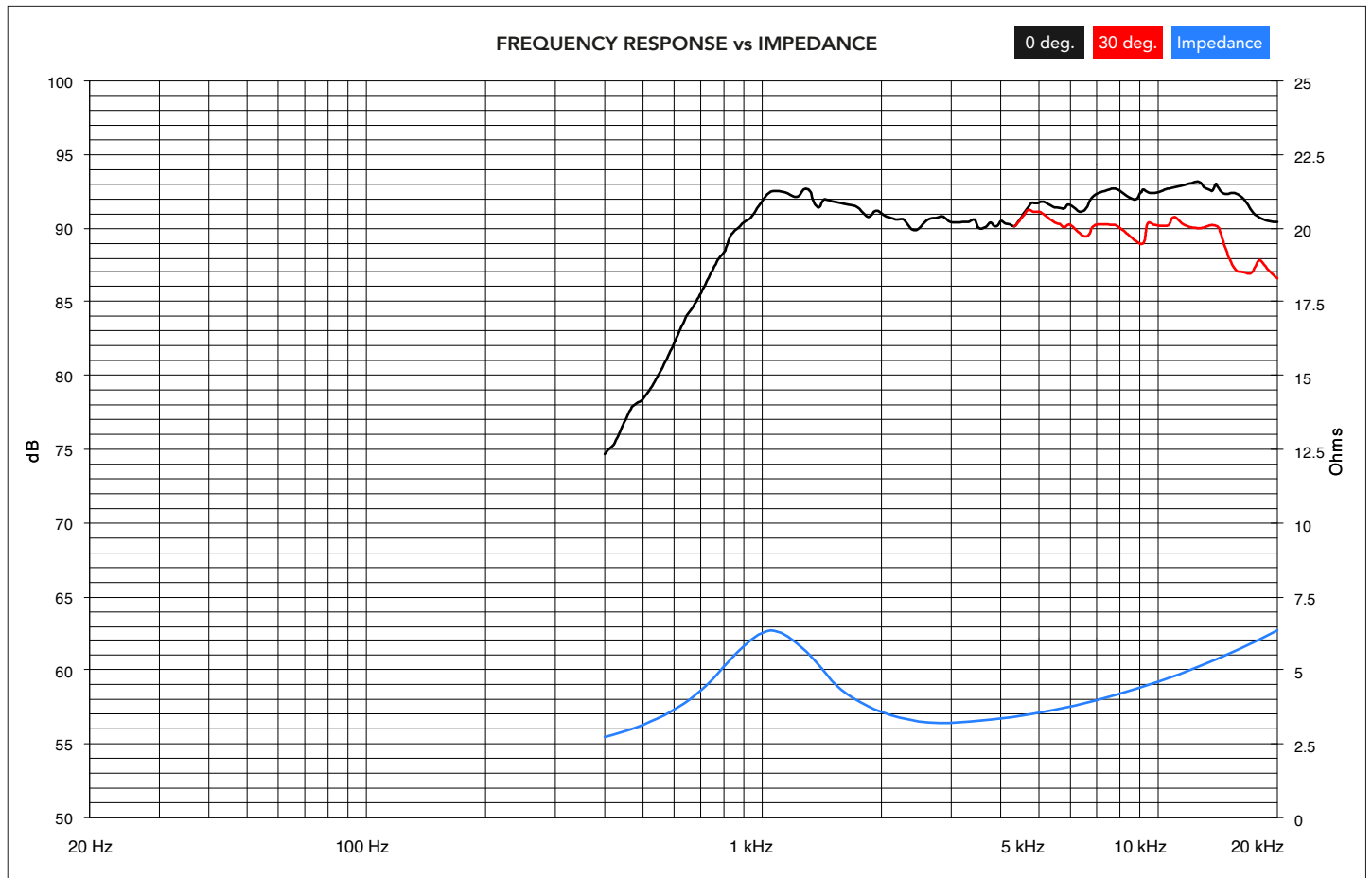
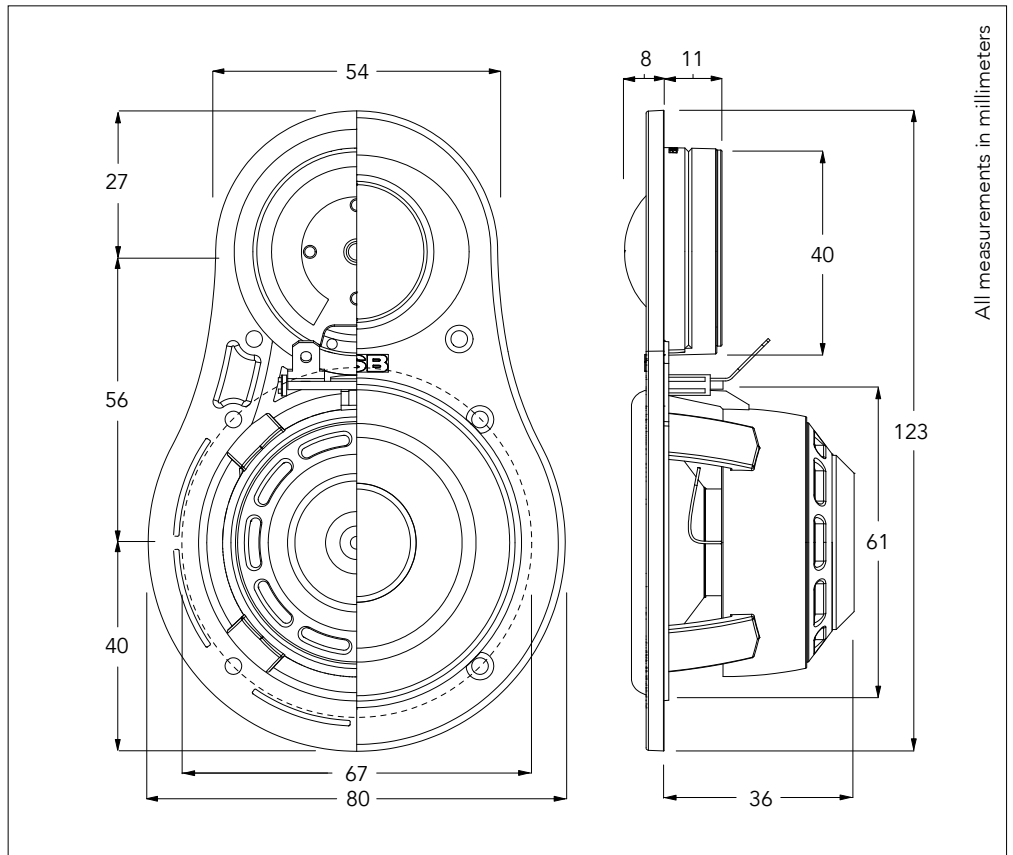
Speaker Type: Component Tweeter
 Nominal Diameter: 1"/25 mm
 Nominal Impedance (Znom): 4 Ohms
 Continuous Power Handling: 80 W
 Peak Power Handling: 160 W
 Rec. Amplifier Power: 20 - 110W (RMS)

PARAMETERS

Voice Coil Resistance (Re): 3.71 Ohms
 Voice Coil Diameter: 25.4 mm
 Free Air Resonance (Fs): 1300 Hz
 Sensitivity: 89.0 dB @ 1W/1m
 92.0 dB @ 2.83V/1m
 Electrical "Q" (Qes): 1.686
 Mechanical "Q" (Qms): 1.129
 Total Speaker "Q" (Qts): 0.676

DESIGN BANDWIDTH

With 48 dB/oct. HP filters: 2 KHz - 25 KHz
 With 24 dB/oct. HP filters: 2.2 KHz - 25 KHz
 With 12 dB/oct. HP filters: 2.4 KHz - 25 KHz



3.UMA - MIDRANGE

Speaker Type: Component Midrange
 Nominal Diameter: 2.5"/65 mm
 Nominal Impedance (Znom): 4 Ohms
 Continuous Power Handling: 100 W
 Peak Power Handling: 200 W
 Rec. Amplifier Power: 40 - 160W (RMS)

PARAMETERS

Voice Coil Resistance (Re): 3.83 Ohms
 Voice Coil Diameter: 20 mm
 Free Air Resonance (Fs): 112.2 Hz
 Reference Efficiency (no): 0,089 %
 Sensitivity: 89 dB @ 1W/1m
 92 dB @ 2.83V/1m
 Electrical "Q" (Qes): 1.067
 Mechanical "Q" (Qms): 4.228
 Total Speaker "Q" (Qts): 0.852
 Equivalent Compliance (Vas): 0.69 lt
 Moving Mass (Mms): 1.917 g
 Mech. Compliance (Cms): 1.050 mm/N
 Magnetic Strength (BL): 2.204 N/A
 Effective Piston Area (Sd): 21.65 sq. cm
 One-Way Linear Excursion (Xmax): 3 mm

DESIGN BANDWIDTH

With 48 dB/oct. HP filters: 200 Hz - 12 KHz
 With 24 dB/oct. HP filters: 240 Hz - 12 KHz
 With 12 dB/oct. HP filters: 280 Hz - 12 KHz

