



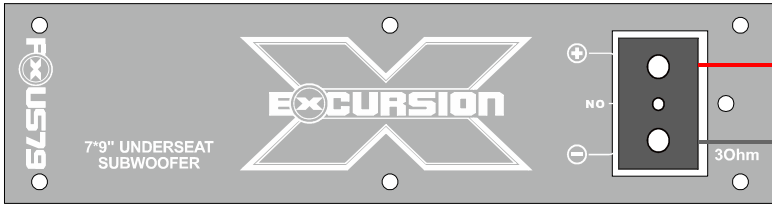
...is all you need



FX US79

PX SERIES 7*9" UNDERSEAT SUB SET

PX-US79 - LEFT SIDE - UNDER PASSENGER SEAT



CONGRATULATIONS !

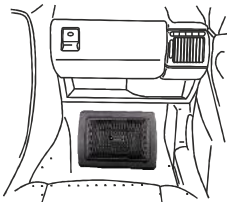
You now own an EXCURSION PX-US79 Series Subwoofer Set, the product of an uncompromising design and german engineering philosophy. A product made from Car Audio fanatics who truly believe in the relentless pursuit of perfection.

PLUG EXCURSION Subwoofer, sold as Underseat SET, are the universal acoustic hide away solution but for all car models. This in compare to modern popular factory audio systems, like BMW or Mercedes, which PX-US79 optional very well upgrade on a very simple way. With inverted terminals per side we assure a smart underseat installation and next to already included installation hardware we recommend via our partner brand Hollywood ENERGETIC new HVL (Velcro) for a flexible fixing to car floor.

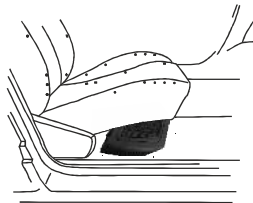
Single Specifications :

RMS	150 Watt
PEAK	500 Watt
Impedance	3Ohm
Subwoofer Diameter	7x9 inch
Dimension (L x W x H) mm	290 x 210 x 72

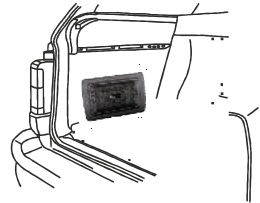
● Suggestion of subwoofer placement



In compartment

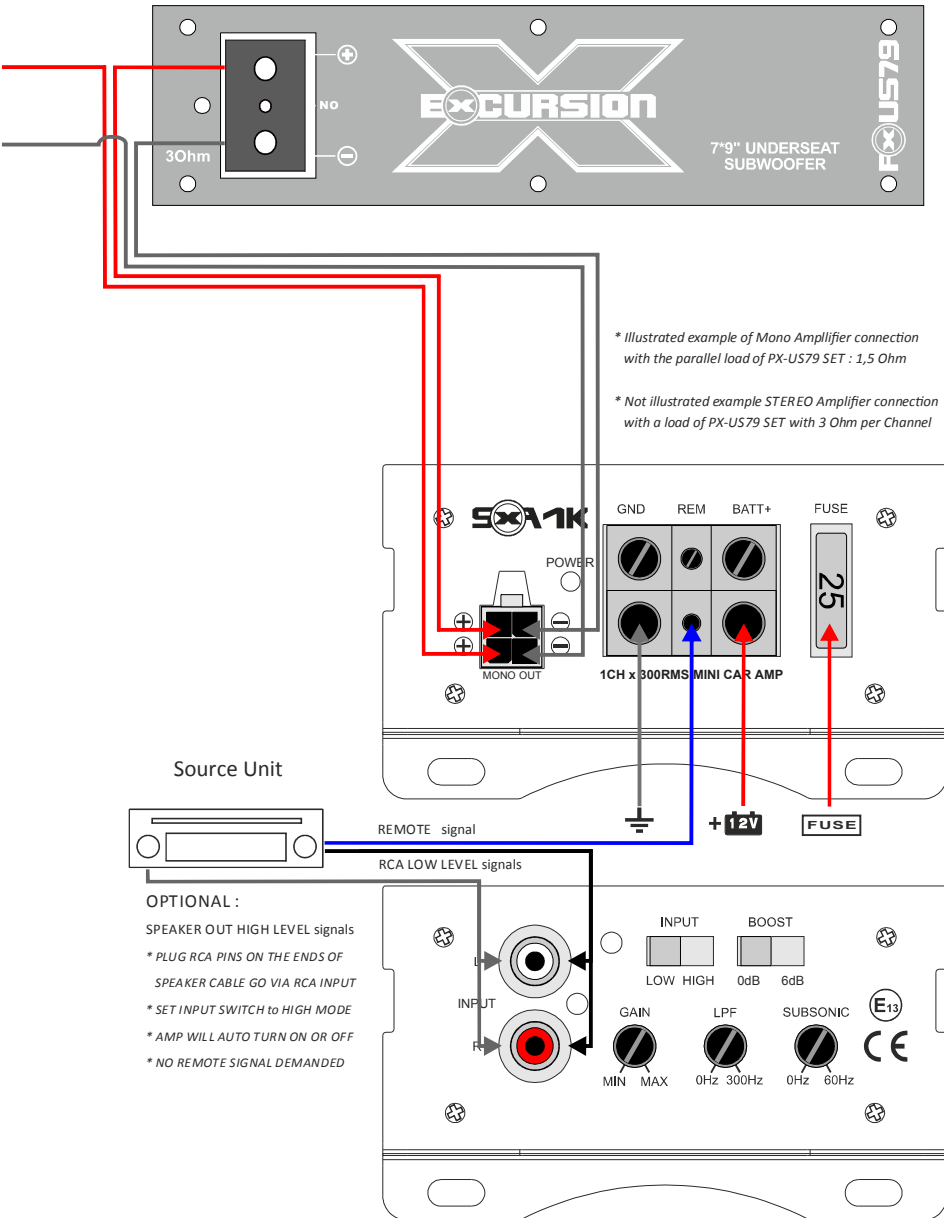


Under the seat



In trunk

PX-US79 - RIGHT SIDE - UNDER DRIVER SEAT



OPTIONAL :

SPEAKER OUT HIGH LEVEL signals

* PLUG RCA PINS ON THE ENDS OF

SPEAKER CABLE GO VIA RCA INPUT

* SET INPUT SWITCH TO HIGH MODE

* AMP WILL AUTO TURN ON OR OFF

* NO REMOTE SIGNAL DEMANDED



EXCURSION - A Division of CHPW

All Rights reserved - Intl. Trademark No: 010 640 597

Friedrich-Ebert-Str. 42 - D-92637 Weiden / Germany
Tel: (+49) 961-416 04 20 - Fax: (+49) 961-46 04 41

